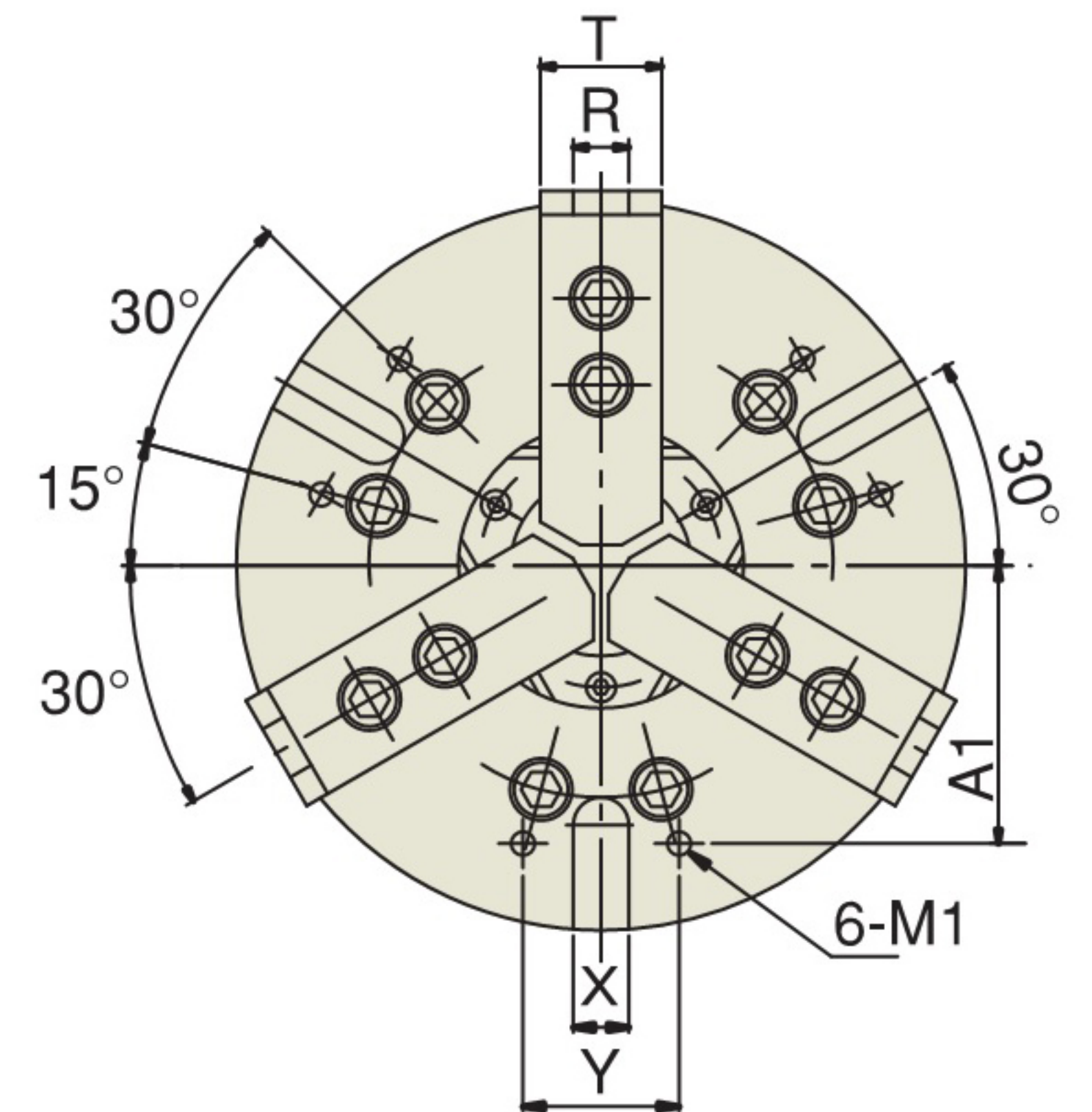
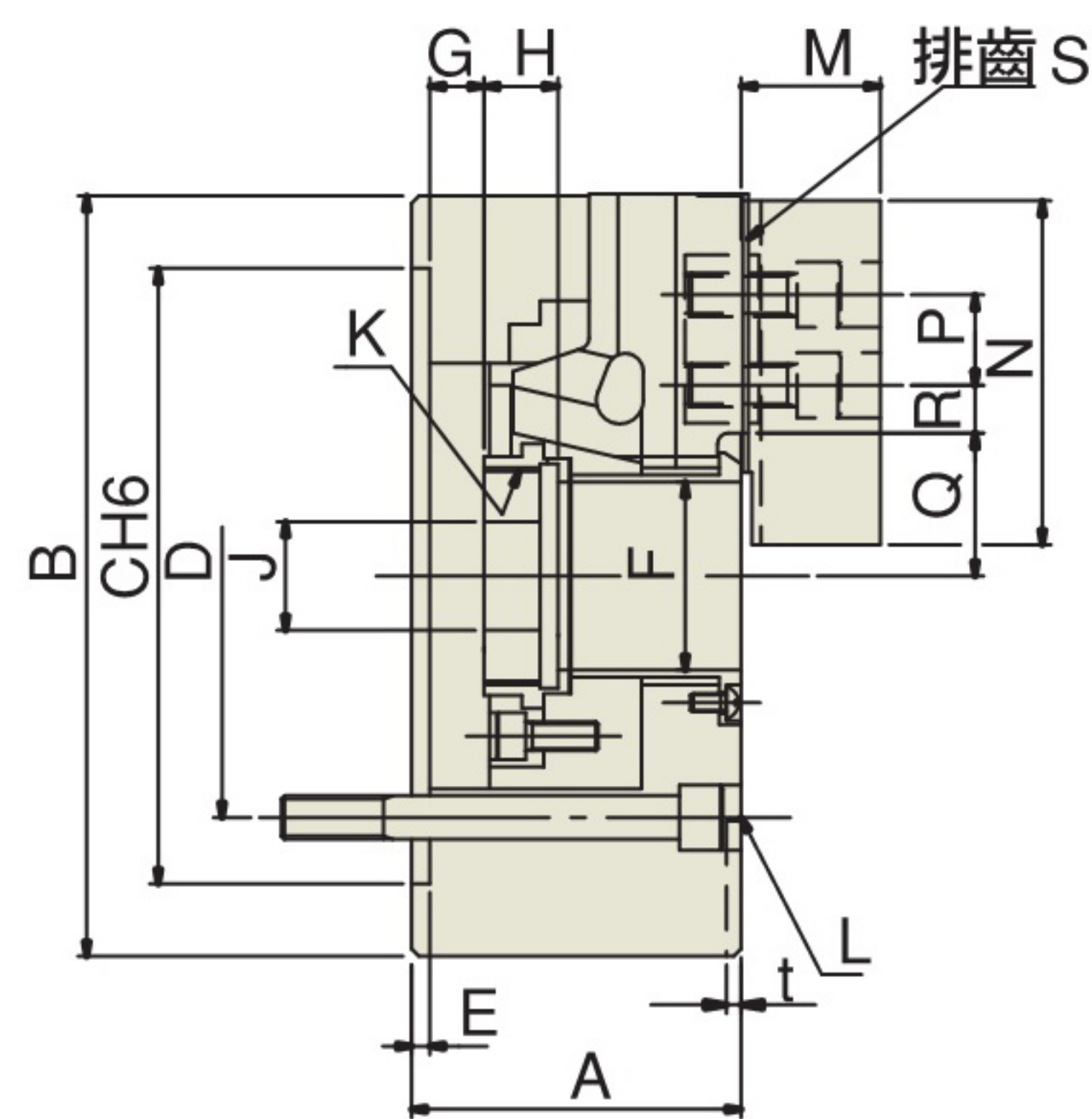
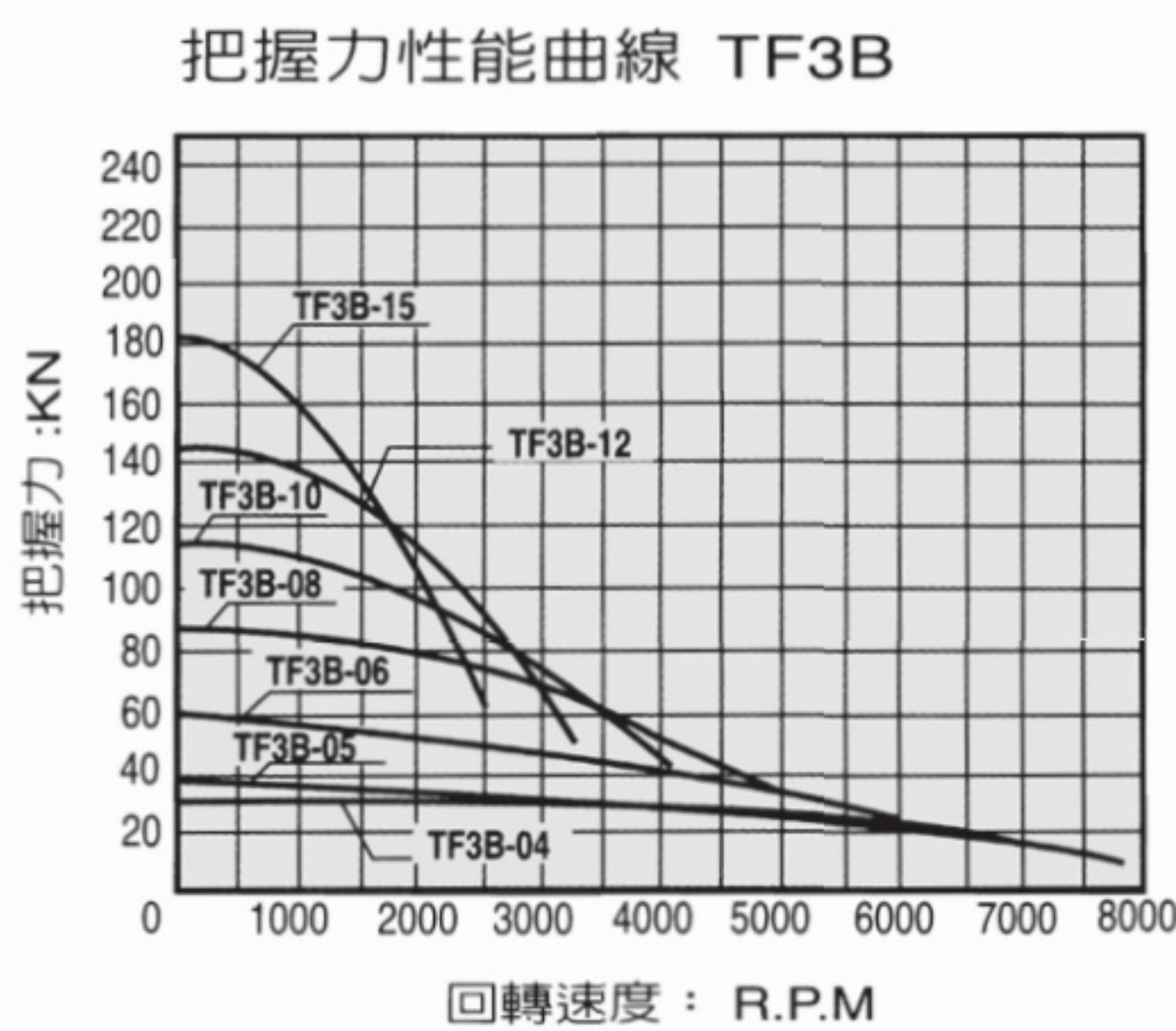


3-JAW WEDGE TYPE THROUGH-HOLE
POWER CHUCK (WITHOUT ADAPTOR)

Serration Pitch
4"-18":1.5x60°
21", 24":3.0x60°



規格 SPECIFICATIONS



性能 Specification	型式 Model	TF3B									
		4	5	6	8	10	12	15	18	21	24
爪行程 (直徑) Jaw Stroke (Dia) (mm)		5.4	5.4	5.5	7.4	8.8	10.6	10.6	10.6	13	13
柱塞行程 Plunger Stroke (mm)		10	10	12	16	19	23	23	23	28	28
最大、最小把握徑 Recommended external chucking Diameter for standard soft top jaw(mm)	最大Max.	110	135	165	210	254	304	381	450	530	610
	最小Min.	5	10	10	12	16	38	40	40	50	50
最高使用迴轉速 Max. speed (r.p.m)		8000	7000	6000	4900	4200	3300	2600	2000	1700	1400
最大拉桿推力 Max. Draw Bar Pull Force (KN (kgf))		14 (1428)	17.5 (1784)	22 (2243)	34 (3467)	43 (4385)	55 (5608)	71(7240)	71(7240)	90(9177)	90(9177)
把握力 Clamping-force at Max. Draw Bar pull (Total jaw force) (KN (kgf))		28.5 (2906)	36 (3671)	57 (5812)	86 (8769)	111 (11319)	144 (14686)	180 (18355)	180 (18355)	234 (23861)	234 (23861)
GD ² Moment of inertia (kgf·m ²)		0.007	0.0018	0.057	0.167	0.315	0.737	2.273	4.776	9.25	16.85
重量 Weight with standard soft top jaws (kg)		4	6.7	12.5	22.6	37	61	120	166	229	287
搭配油壓缸 Matching cylinder	RC	4 / 24.5	5 / 29.5	6 / 28.5	8 / 27	10 / 27.5	12 / 27.5	15 / 23.5	15 / 23.5	15 / 30.5	15 / 30.5
		最高使用壓力 Max. pressure to operate chuck(kgf/cm ²)									

尺寸表 DIMENSIONS

規格 Series 代號 Symbol	TF3B										
	4	5	6	8	10	12	15	18	21	24	
A	59	60	81	91	100	110	133	133	148	148	
B	110	135	169	210	254	304	381	450	530	610	
CH6	85	110	140	170	220	220	300	300	380	380	
D	70.6	82.55	104.78	133.35	171.45	171.45	235	235	330.2	330.2	
E	4	4	5	5	5	6	6	6	6	6	
F	26	33	45	52	75	91	117.5	117.5	170	170	
G	Max	3.5	1	11	14.5	8.5	8	23	11	16	16
	Min	-6.5	-9	-1	-1.5	-10.5	-15	0	-12	-12	-12
H	17.5	20	19	20.5	25	28	35	39	40	40	
J	12	12	20	30	45	50	50	50	50	50	
K	Max	M32x1.5	M40x1.5	M55x2	M60x2	M85x2	M100x2	M130x2.0	M130x2.0	M180x3.0	M180x3.0
	L	3-M10x60	3-M10x60	6-M10x80	6-M12x90	6-M16x100	6-M16x110	6-M20x150	6-M20x150	6-M22x170	6-M22x170
M	24	26	29	39	43	51	61	70	70	70	
N	49.5	54	66	95	110	111	135	135	185	185	
P	14	14	20	25	30	30	43	43	60	60	
Q	Max	23	26.5	32	38.7	51	61.3	70	82	108	108
	Min	20.3	23.8	29.25	35	46.6	56	64.7	76.7	101.5	101.5
R	Max	11.25	19.75	22.75	29.75	33.75	45.75	54.75	78.25	117.5	117.5
	Min	6.75	7.75	9.25	14.75	14.25	15.75	20.25	18.25	21.5	21.5
S	1.5	1.5	1.5	1.5	1.5	1.5	1.5	1.5	3.0	3.0	
T	23	23	32	37	40	50	50	50	62	62	
X	-	12	16	16	16	20	20	20	20	20	
Y	-	30	36	45	60	60	80	80	100	100	
A1	-	52	65	80	102	100	150	150	200	200	
M1	-	M6	M8	M8	M10	M10	M12	M12	M12	M12	
t	-	5	5	5	5	5	5	5	5	5	