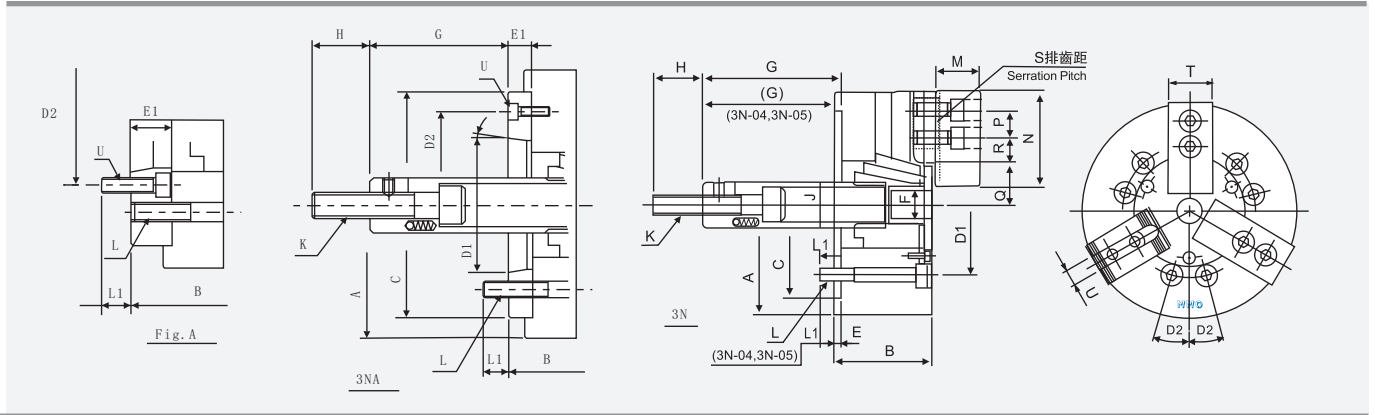


- 直接安裝：直接將3NA系列夾頭安裝於符合ASA及JIS標準的短錐主軸。
- 高性能：與3N系列夾頭，同具一致之高性能。
- 可選擇性之主軸配合件：主軸配合件可採用ASA或DIN以搭配機器主軸。
- Mounting directly: 3NA series chucks mounting to fit with ASA and JIS standard short spindle.
- High performance: Similar high performance to 3N series.
- Alternative spindle adaptors can be supplied to fit machine spindle.



注：紅色數據為3NA型之寸法。
The dimensions and the specifications of 3NA type are in the red data.

規格 Spec 型號 Model	楔心行程mm Plunger stroke	爪行程(直徑)mm Jaw stroke (Dia)	夾持直徑Chuck Dia. mm		容許油壓缸推力 kgf Max. D.B. pull	最大夾持力 kgf Max. clamping force	最高回轉數 r.p.m Max. speed	GD ² kg.m ²	重量 kg Weight	適用油壓缸 Matching cyl	最大使用壓力 Max. pressure Mpa (kgf/cm ²)
3N-04	15	6.4	110	5	830	2300	6000	0.01	4.1	NH-0815	2.2 (22)
3N-05	15	6.4	135	14	830	2550	5500	0.02	6.2	RA-130	0.6 (6)
3N-06 A5	20	8.5	165	14	1830	5350	5250	0.05	13 14	NH-1020 RA-170	3.0 (30) 0.6 (6)
3N-08 A5	21	8.8	210	17	2550	7600	4750	0.14	24 28	NH-1225	2.6 (26)
3N-08 A6	21	8.8	210	17	2550	7600	4750	0.14	24 27	NH-1025	0.5 (5)
3N-10 A6	25	8.8	254	22	2950	11000	4000	0.30	35 42	NH-1550 RA-220	3.0 (30)
3N-10 A8	25	8.8	254	22	2950	11000	4000	0.30	35 40		0.6 (6)
3N-12 A8	30	10.5	304	22	4180	15900	3360	0.73	59 63	NH-1550	3.0 (30)

寸法 Size 型號 Model	A	B	C(H6)	D	D1	D2	E	E1	F	Gmax.	Gmin.	H	J		
3N-04	110	52	60	80	-	-	6	-	-	18	3	25	26		
3N-05	135	55	80	100	-	-	7	-	-	9	-6	35	28		
3N-06 A5	165	74	84	140	104.8	82.56	116	5	15	21	101.5	86.5	81.5 66.6	36	34
3N-08 A5	210	85	103	170	133.4	82.56	104.8	5	23	25	127	104	106 83	36	38
3N-08 A6	210	85	97	170	133.4	106.38	150	5	17	25	127	110	106 89	36	38
3N-10 A6	254	89	109	220	171.4	106.38	133.4	5	25	34	158	133	133 108	36	45
3N-10 A8	254	89	102	220	171.4	139.72	190	5	18	34	158	140	133 115	36	45
3N-12 A8	304	106	118	220	171.4	139.72	190	6	18	34	163	145	133 115	36	50

寸法 Size 型號 Model	K	L	L1	M	N	P	Qmax.	Qmin.	Rmax.	Rmin.	S	T	U
3N-04	M10X1.5	3~M8	12	24	52	14	23.3	20.1	11.3	8.3	25	10	-
3N-05	M12X1.75	3~M8	14	31	62	14	30.4	27.2	13.5	6	25	10	-
3N-06 A5	M16X2	6~M10	14	14	37	73	37.8	33.5	18	7.5	31	12	3~M6
3N-08 A5	M20X2.5	6~M12	20	17	38	95	46.3	41.9	22.3	11.8	35	14	6~M10
3N-08 A6	M20X2.5	6~M12	20	18	38	95	46.3	41.9	22.3	11.8	35	14	3~M6
3N-10 A6	M20X2.5	6~M16	18	18	43	110	51.1	46.7	30.8	11.3	40	16	6~M12
3N-10 A8	M20X2.5	6~M16	18	25	43	110	51.1	46.7	30.8	11.3	40	16	3~M8
3N-12 A8	M20X2.5	6~M16	22	25	51	130	61	55.8	48.8	12.3	50	18or21	3~M8