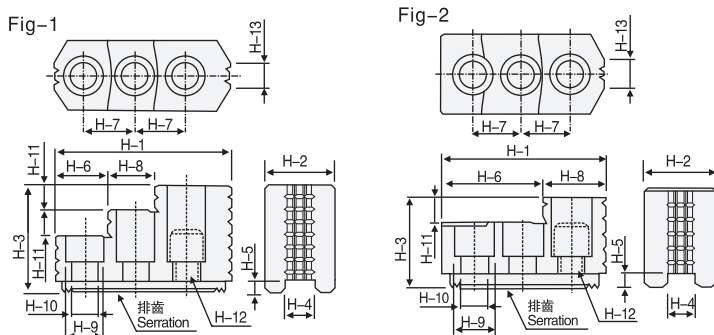


## 規格 SPECIFICATIONS

寸法 Size 型號 Model	C-1	C-2	C-3	C-4	C-5	C-6	C-7	C-8	C-9	C-10	C-11	C-12	C-13	鋸齒狀節距 Serration Pitch	適合夾頭 Matching Chuck	三爪重量 (kg) 3 Jaw Weight (kg)
HC04	53	23	23	10	5	9	14	30	13.5	9	14	M8	3	1.5 × 60°	3B-04,3N-04	0.45
HC05	62	25	30	10	5	9	14	39	13.5	9	21	M8	5	1.5 × 60°	3B-05,3N-05	0.7
HC06	73	31	36	12	5	15	20	38	17	11	23	M10	14	1.5 × 60°	3B-06,3N-06	1.5
HC08	95	35	37	14	5	24	25	46	19	13	22	M12	16	1.5 × 60°	3B-08,3N-08	2.4
HC10	110	40	42	16	5	30	30	50	19	13	27	M12	18	1.5 × 60°	3B-10,3N-10	3.7
HC12	130	50	50	21	5	39	30	61	25	17	30	M16	23	1.5 × 60°	3B-12	6.2
HC12-1	130	50	50	18	5	39	30	61	23	15	30	M14	23	1.5 × 60°	3N-12	6.25
HC15	165	62	62	22	8	37	43	85	32	21	38	M20	-	1.5 × 60°	3B-15	12.8
HC15-1	165	62	62	25.5	5	37	43	85	32	21	38	M20	-	1.5 × 60°	3N-15,3N-18	7.5
HC24-1	180	65	70	25	9	40	60	80	32	21	45	M20	-	3.0 × 60°	3N-21,3N-24	16



## 規格 SPECIFICATIONS

寸法 Size 型號 Model	H-1	H-2	H-3	H-4	H-5	H-6	H-7	H-8	H-9	H-10	H-11	H-12	H-13	鋸齒狀節距 Serration Pitch	參考圖 Reference Drawing	適合夾頭 Matching Chuck	三爪重量 (kg) 3 Jaw Weight (kg)
HJ05	53	23	27.5	10	4	30.5	14	22.5	13.5	8.5	10	M8	6	1.5 × 60°	Fig-2	3B-05,3N-05	0.4
HJ06	67	31	36	12	5	39.5	20	27.5	17	11	10	M10	11	1.5 × 60°	Fig-2	3B-06,3N-06	1.0
HJ08	86	35	51	14	5	31	25	18	19	13	12	M12	12	1.5 × 60°	Fig-1	3B-08,3N-08	1.9
HJ10	99.5	40	54	16	5	43	30	17	19	13	13	M12	15	1.5 × 60°	Fig-1	3B-10,3N-10	2.9
HJ12	103	50	52	21	4	62.5	30	40.5	25	17	17	M16	30	1.5 × 60°	Fig-2	3B-12	3.5
HJ12-1	103	50	52	18	5	62.5	30	40.5	22	15	17	M14	30	1.5 × 60°	Fig-2	3N-12	2.7
HJ15	149	62	86	22	8	63	43	34	32	21	20	M20	40	1.5 × 60°	Fig-1	3B-15	9.6
HJ15-1	149	62	86	25.5	5	63	43	34	32	21	20	M20	40	1.5 × 60°	Fig-1	3N-15,3N-18	9.5
HJ24-1	159.5	80	90	25	9	104.5	50	55	32	21	40	M20	55	3.0 × 60°	Fig-2	3N-21,3N-24	14.5