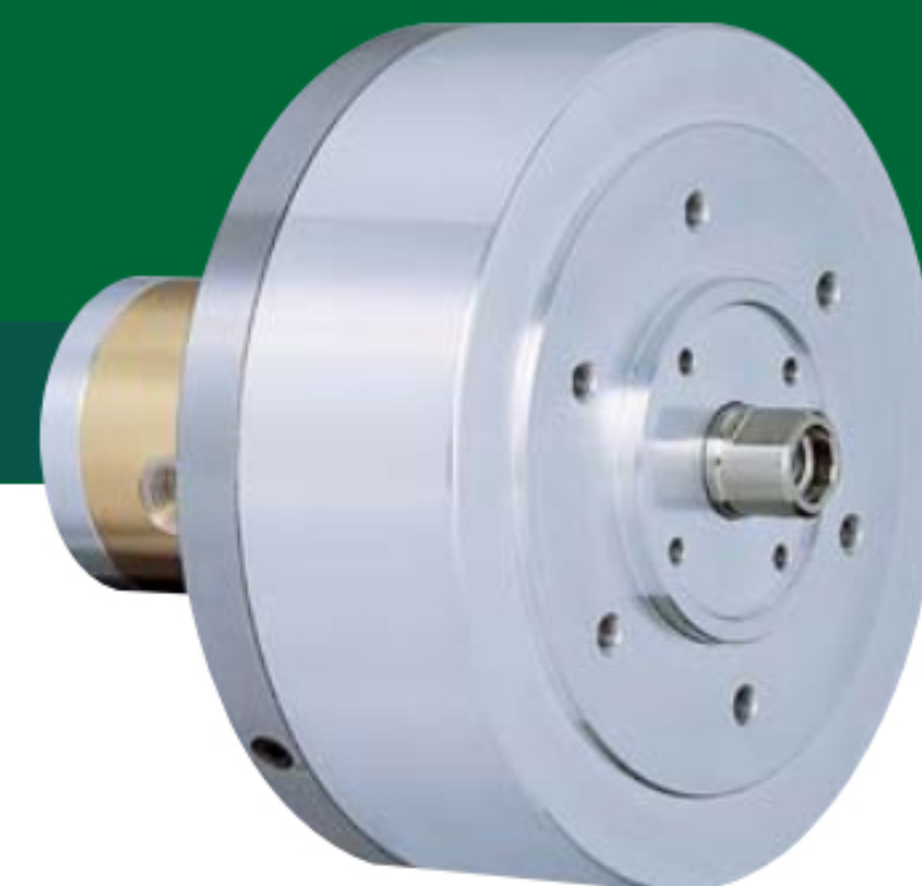


AY-R 闭心式气缸

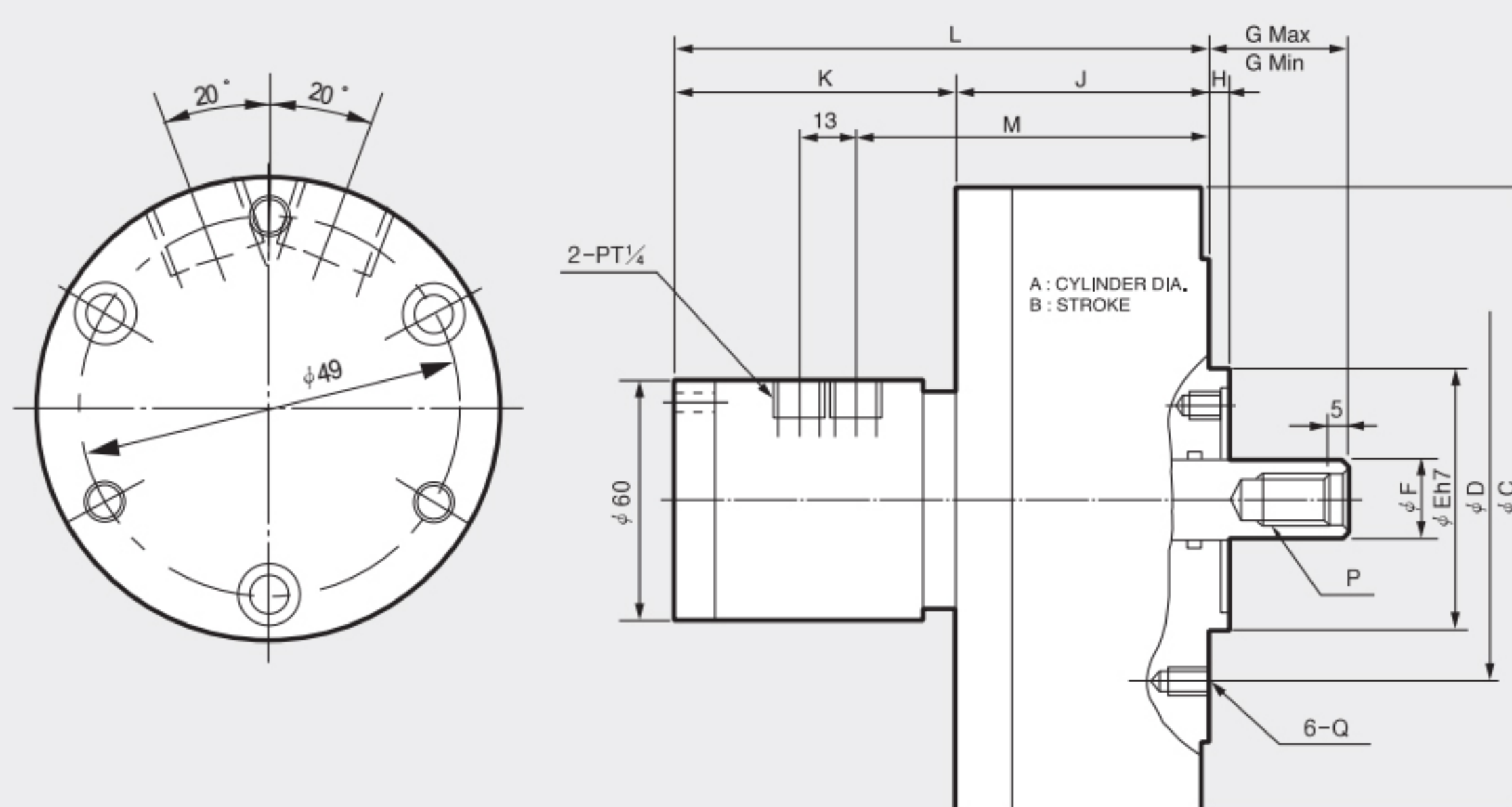
Closed-Center Pneumatic Cylinder



■ Closed-Centered Pneumatic Cylinder

■ 闭心式气缸

PNEUMATIC CYLINDER



※ Piston A :
Piston B :

Dimensions

	A	B	φC	φD	φE(h7)	φF	Gmax.	Gmin.	H	J	K	L	M	N	Q	P
AY-1005R	100	5	128	90	65	20	30	25	5	53	70	123	79	M5	M6x11	M12x22
AY-1315R	130	15	156	90	65	20	35	20	5	63	70	133	89	M6	M6x11	M12x22
AY-1720R	170	20	200	100	80	25	65	45	5	82	70	152	108	M7	M10x16	M16x30
AY-2225R	220	25	255	130	110	30	71	46	5	93	70	163	119	M8	M12x20	M20x35
AY-2730R	270	30	305	130	110	35	76	46	5	103	74.5	177.5	133.5	M9	M12x20	M24x40

Specifications

Type	Piston Stroke	Piston Surface Area		Piston Force		Max. Pneumatic Pressure	Max. R.P.M.	Weight	GD ²
	活塞行程 [mm]	Push [cm ²]	Pull [cm ²]	Push [kN(kgf)]	Pull [kN(kgf)]	最大工作压力 [MPa(kgf/cm ²)]	最大转速 [min-1(r.p.m.)]	重量 [kgf]	容许工作惯性 [N·m ² (kgf·m ²)]
AY-1005R	5	78.5	73.6	552	518	8(0.82)	5000	4.1	0.07
AY-1315R	15	131	128	786	770	8(0.82)	5000	5.2	0.07
AY-1720R	20	225	220.1	1350	1320	8(0.82)	5000	8.3	0.11
AY-2225R	25	378	371.1	2268	2226	8(0.82)	4000	13.3	0.25
AY-2730R	30	570.4	560.8	3422	3364	8(0.82)	3000	18.7	0.75